



Temperature Sensor PT 200E



- ▶ -40 to 1,000 °C
- ▶ Connector ASL 6-06-05PD-HE

The PT 200E is designed to measure exhaust gas temperatures up to 1,000 °C.

The sensor element has a positive temperature coefficient. This means, that with increasing ambient temperature the conductivity decreases and the resistance rises. The opened housing exposes the sensor directly to the gas flow in order to improve its performance.

The main benefit of the sensor is a very robust and compact design and its wide measurement range.

Application

Application	-40 to 1,000 °C
Storage temp. range	0 to 100 °C

Technical Specifications

Mechanical Data

Male thread	M14x1.5
Wrench size	19 mm
Weight w/o wire	55 g

Electrical Data

Characteristic	PTC
----------------	-----

Characteristic

Accuracy at -40 to 200 °C	± 3 °C
Relative resistance tolerance at > 200 °C	± 1.5 %

Connectors and Wires

Connector	ASL 6-06-05PD-HE
Mating connector	ASL 0-06-05SD-HE
Pin 1	n.c.
Pin 2	Sig+
Pin 3	Sig-
Pin 4	n.c.
Pin 5	n.c.

Wire size	AWG 24
-----------	--------

Wire length L	15 to 100 cm
---------------	--------------

Please specify the required wire length with your order.

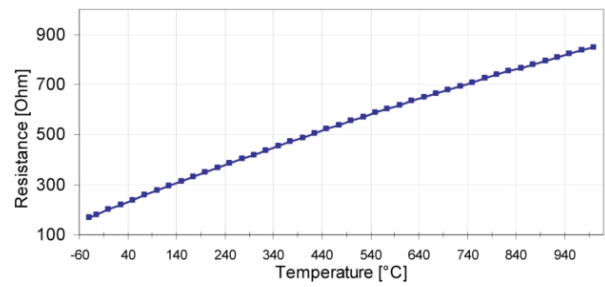
Various motorsport and automotive connectors are available on request.

Characteristic Application

T [°C]	R [Ω]
-40	170
-25	181
0	201
25	220
50	239

75	257
100	276
150	313
200	349
250	385
300	420
350	454
400	488
450	521
500	554
550	586
600	618
650	649
700	679
750	709
800	738
850	767
900	795

950	822
1000	849



Installation Notes

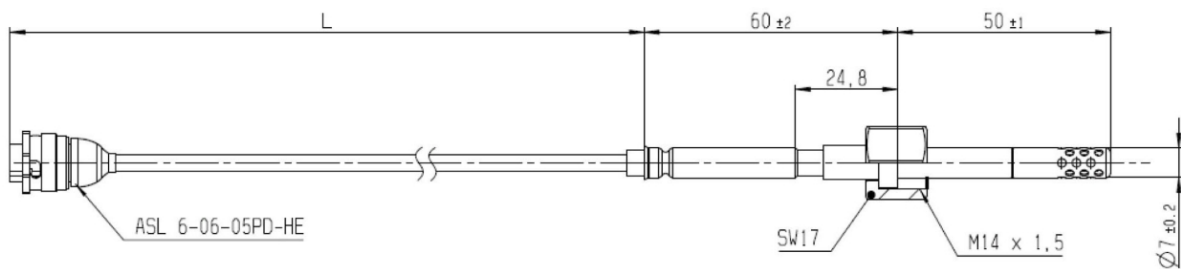
The PT 200E can be connected directly to most control units using a pull-up resistance (typically 1 or 3 kΩ).

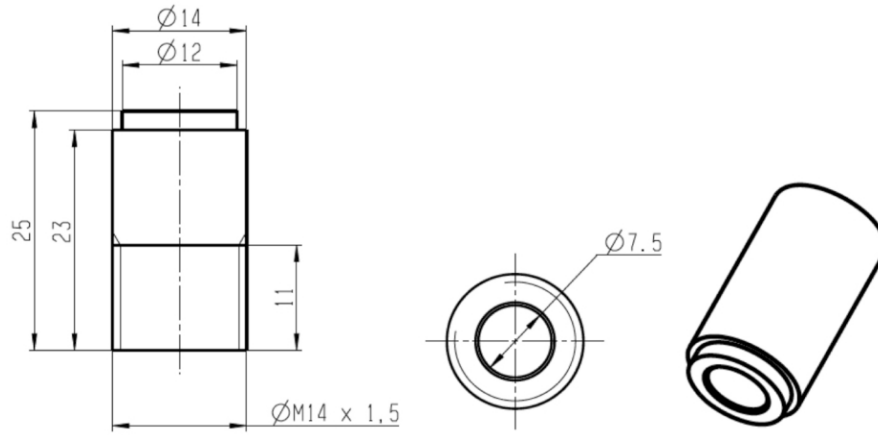
Please check the offer drawing for a correct mounting orientation.

Please use the mounting part for a correct fixation of the sensor (not included, available on request).

Please find further application hints in the offer drawing and free download of the sensor configuration file (*.sdf) for the Bosch Data Logging System at our homepage.

Dimensions





Ordering Information

Temperature Sensor PT 200E

F 02U V00 811-01

Europe:

Bosch Engineering GmbH
Motorsport
Robert-Bosch-Allee 1
74232 Abstatt
Germany
Tel.: +49 7062 911 79101
Fax: +49 7062 911 79104
motorsport@bosch.com
www.bosch-motorsport.de

North and South America:

Bosch Engineering North America
Motorsports
38000 Hills Tech Drive
Farmington Hills, MI 48331-3417
United States of America
Tel.: +1 248 876 2977
Fax: +1 248 876 7373
motorsport@bosch.com
www.bosch-motorsport.com

Asia Pacific:

Bosch Engineering Japan K.K.
Motor Sport Department
3-33-8 Tsuruya-cho, Kanagawa-ku, Yokohama-shi
Kanagawa 221-0835
Japan
Tel.: +81 45 410 1650
Fax: +81 45 410 1651

Represented by